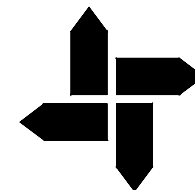


RECONSTRUCTION OF BRIDGE NO 13/2 ON MADATUGAMA - PUBBOGAMA - ANDIYAGALA ROAD (B 556)

TENDER ISSUE
NOT FOR
CONSTRUCTION

MINISTRY OF HIGHWAYS
ROAD DEVELOPMENT AUTHORITY




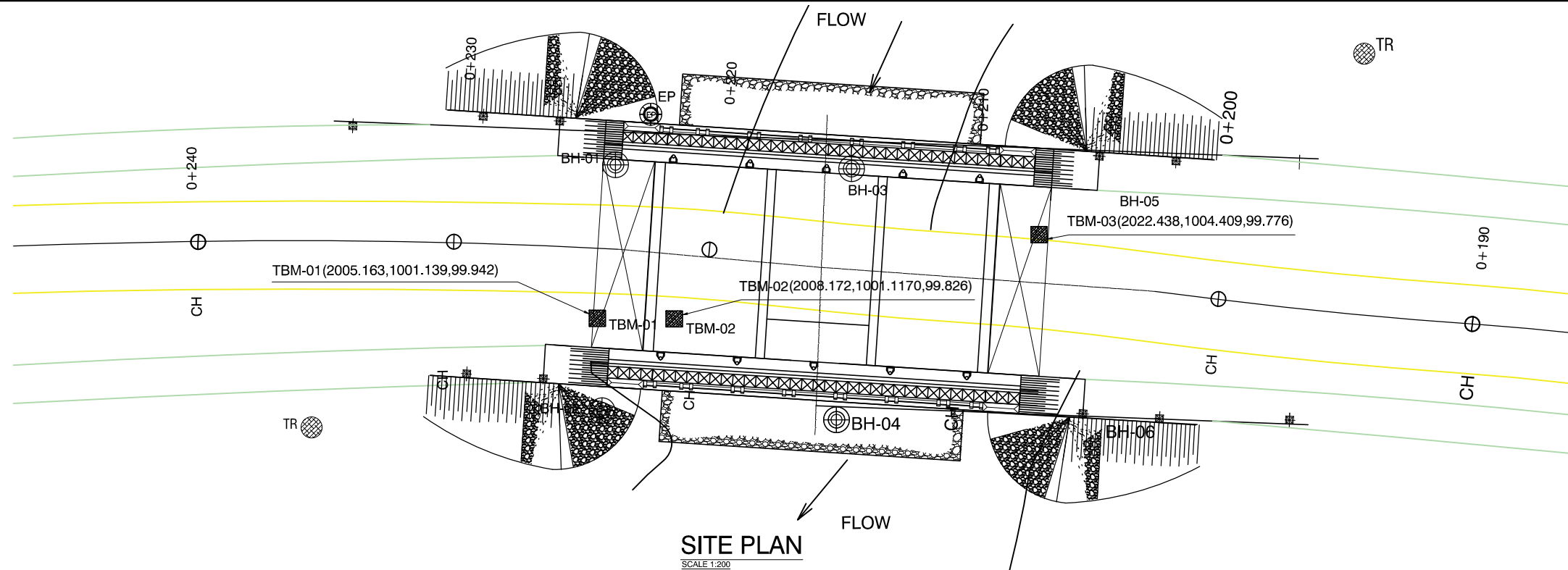
PROVINCIAL DIRECTOR'S
DESIGNS OFFICE
ANURADHAPURA

TABLE OF CONTENT

DRAWING TITLE	DRAWING NO	REVISION VERSION
TABLE OF CONTENT	PD/NCP/DES/MA13-2/BRI/A'PURA/01-01	
SITE PLAN	PD/NCP/DES/MA13-2/BRI/A'PURA/01-02	
LONGITUDINAL SECTION & BOREHOLE DETAILS	PD/NCP/DES/MA13-2/BRI/A'PURA/01-03	
GENERAL PLAN	PD/NCP/DES/MA13-2/BRI/A'PURA/01-04	
SECTIONAL PLAN	PD/NCP/DES/MA13-2/BRI/A'PURA/01-05	
SECTIONAL ELEVATION	PD/NCP/DES/MA13-2/BRI/A'PURA/01-06	
REINFORCEMENT DETAILS	PD/NCP/DES/MA13-2/BRI/A'PURA/01-07	
REINFORCEMENT DETAILS OF WING WALL	PD/NCP/DES/MA13-2/BRI/A'PURA/01-08	
CULVERT CROSS SECTION	PD/NCP/DES/MA13-2/BRI/A'PURA/01-09	
GENERAL DETAILS - I	PD/NCP/DES/MA13-2/BRI/A'PURA/01-10	
GENERAL DETAILS - II	PD/NCP/DES/MA13-2/BRI/A'PURA/01-11	
BAR SCHEDULE	PD/NCP/DES/MA13-2/BRI/A'PURA/01-12	

**TENDER ISSUE
NOT FOR
CONSTRUCTION**

<p>RE CONSTRUCTION OF BRIDGE NO 13 / 2 ON MADATUGAMA-PUBBOGAMA -ADIYAGALA ROAD (B 556)</p>	<p>TABLE CONTENT</p>	<p>Revision 01</p>	<p>MINISTRY OF HIGHWAYS ROAD DEVELOPMENT AUTHORITY</p>			<p>PROVINCIAL DIRECTOR'S DESIGNS OFFICE ANURADHAPURA</p>
			<p>DESIGNED : A.M.T.C.K.Atanayake DRAWN : D.M.L. Premarathne CHECKED : FILE NO. :</p>		<p>CHIEF ENGINEER - DESIGNS</p>	
			<p>DRG. NO. PD/NCP/DES/MA13-2/BRI/A'PURA/01 01 OF 12 DATE :19/06/2024</p>			



SITE PLAN
SCALE 1:200

CO-ORDINATES FOR NEW CENTRE LINE		
CHAINAGE	CO-ORDINATES	
	EASTING	NORTHING
0+000	2227.564	974.315
0+010	2217.872	976.856
0+020	2208.032	978.653
0+030	2198.215	980.572
0+040	2188.363	982.353
0+050	2178.481	983.601
0+060	2168.596	985.385
0+070	2158.705	986.856
0+080	2148.812	988.330
0+090	2138.927	989.945
0+100	2128.923	991.049
0+110	2118.997	992.171
0+120	2109.033	993.324
0+130	2099.042	994.574
0+140	2089.083	995.466
0+150	2079.123	996.368
0+160	2069.194	997.553
0+170	2059.260	998.704
0+180	2049.314	999.739

CO-ORDINATES FOR NEW CENTRE LINE		
CHAINAGE	CO-ORDINATES	
	EASTING	NORTHING
0+190	2039.384	1000.915
0+200	2029.451	1001.887
0+210	2019.505	1002.922
0+220	2009.546	1003.820
0+230	1999.552	1004.129
0+240	1989.547	1004.119
0+250	1979.544	1003.812
0+260	1969.574	1002.762
0+270	1959.751	1000.675
0+280	1949.975	998.572
0+290	1940.180	996.550
0+300	1930.457	994.205
0+310	1920.652	992.244
0+320	1910.765	990.730
0+330	1900.857	989.374
0+340	1890.859	989.009
0+350	1880.857	988.879
0+360	1870.888	989.657


CO-ORDINATES FOR TBM			
CHAINAGE	CO-ORDINATES		
	EASTING	NOTHING	HEIGHT
TBM 01	2005.163	1001.139	99.942
TBM 02	2008.172	1001.117	99.826
TBM 03	2022.438	1004.409	99.776
TBM 04	1860.208	988.220	102.103

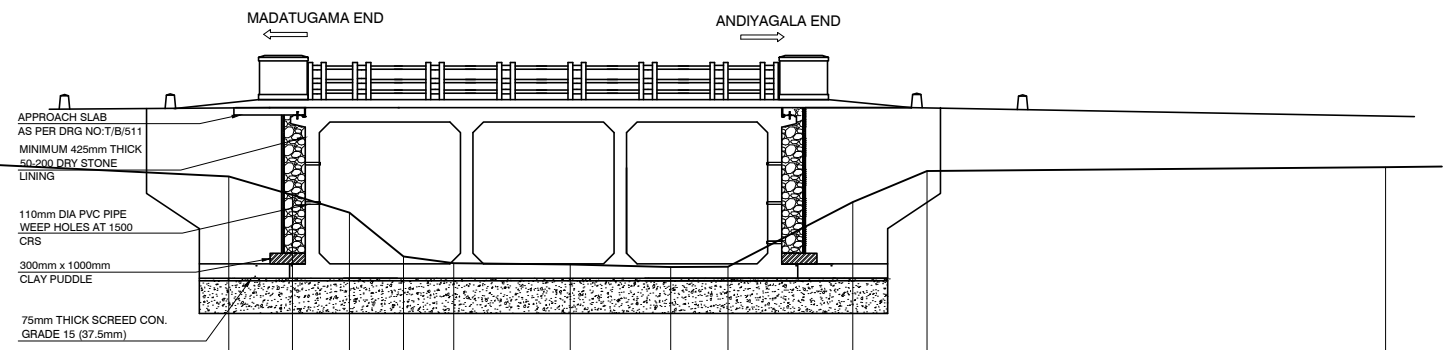
TENDER ISSUE
NOT FOR
CONSTRUCTION

**RE CONSTRUCTION OF BRIDGE NO 13 / 2 ON
MADATUGAMA-PUBBOGAMA -ADIYAGALA ROAD (B 556)**

SITE PLAN

Revision 01

MINISTRY OF HIGHWAYS ROAD DEVELOPMENT AUTHORITY		 PROVINCIAL DIRECTOR'S DESIGNS OFFICE ANURADHAPURA		
DESIGNED : A.M.T.C.K.Atanayake	CHIEF ENGINEER - DESIGNS			
DRAWN : D.M.L. Premarathne				
CHECKED :				
FILE NO. :	DRG. NO. PD/NCP/DES/MA13-2/BRI/A/PURA/01	02 OF 12	DATE :19/06/2024	PROVINCIAL DIRECTOR - NCP



DATUM 90.000 m.

Finished road centre line levels in meters	100.679	100.679	100.679	100.679	100.679	100.679	100.679	100.679	100.679	100.679	100.679	100.679
Existing road centre line levels in meters	100.183	99.730	99.207	98.706	97.468	97.276	97.243	97.168	97.174	99.008	99.888	100.000
Distance in meters	131.6	140.8	142.6	144.2	145.8	147.2	150.5	153.3	155.0	158.5	160.6	173.6

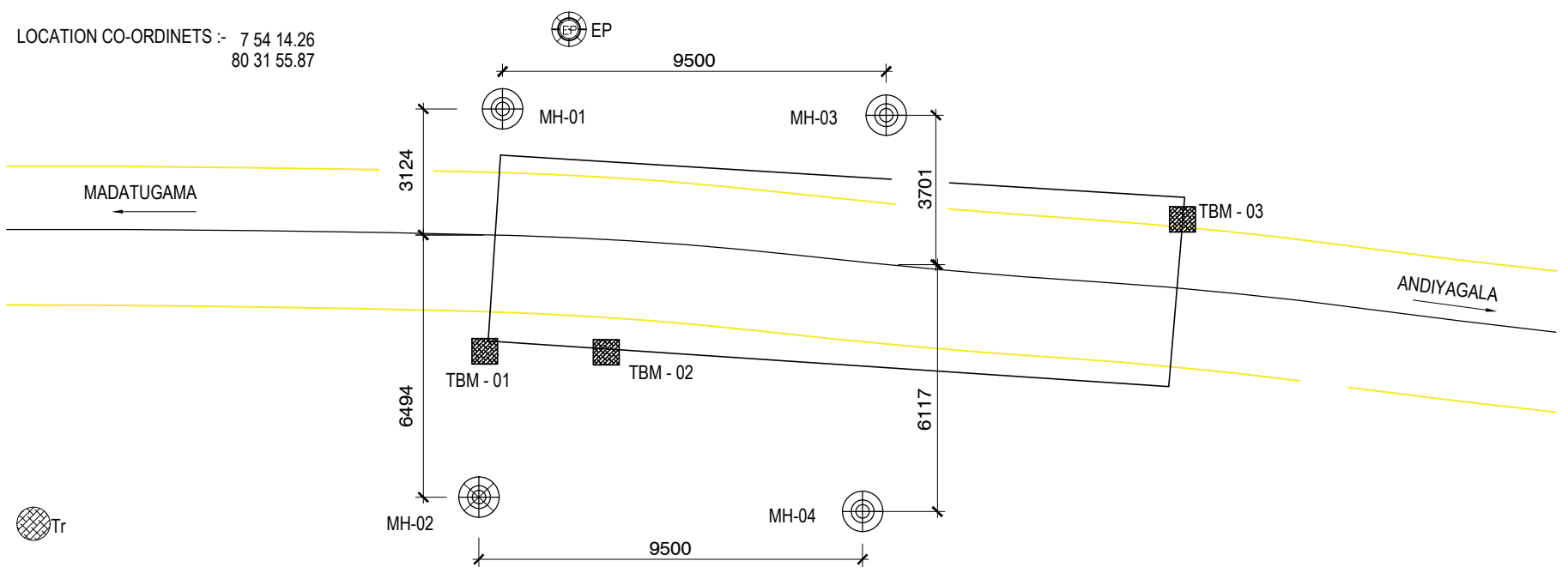
MACKINTOSH PROBE TEST

BORE HOLE No. 1			
DATE OF BORING : 28.05.2020		S.P.T. VALUES	
R.L. ON TOP OF BORE HOLE 100.762 m.		LEGEND	DEPTH IN METERS
DESCRIPTION OF MATERIAL		DEPTH & THICKNESS IN METERS	No. OF Mackintosh
		30	MT 61
		120	MT 69
		240	MT 62
		360	MT 118
		480	MT 79
		600	MT R/B

BORE HOLE No. 2			
DATE OF BORING : 28.05.2020		S.P.T. VALUES	
R.L. ON TOP OF BORE HOLE 100.762 m.		LEGEND	DEPTH IN METERS
DESCRIPTION OF MATERIAL		DEPTH & THICKNESS IN METERS	No. OF Mackintosh
		30	MT 50
		120	MT 44
		240	MT 89
		360	MT 41
		510	MT 300

LONGITUDANAL SECTION

SCALE 1:200



TENDER ISSUE
NOT FOR
CONSTRUCTION

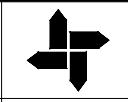
DETAILS OF BOREHOLE

SCALE 1:150

BORE HOLE No. 3			
DATE OF BORING : 28.05.2020		S.P.T. VALUES	
R.L. ON TOP OF BORE HOLE 100.762 m.		LEGEND	DEPTH IN METERS
DESCRIPTION OF MATERIAL		DEPTH & THICKNESS IN METERS	No. OF Mackintosh
		30	MT 95
		120	MT 51
		240	MT 65
		360	MT 387
		510	MT R/B

BORE HOLE No. 4			
DATE OF BORING : 28.05.2020		S.P.T. VALUES	
R.L. ON TOP OF BORE HOLE 100.762 m.		LEGEND	DEPTH IN METERS
DESCRIPTION OF MATERIAL		DEPTH & THICKNESS IN METERS	No. OF Mackintosh
		30	MT 43
		120	MT 45
		240	MT 85
		360	MT 98
		420	MT R/B

MINISTRY OF HIGHWAYS
ROAD DEVELOPMENT AUTHORITY



PROVINCIAL DIRECTOR'S
DESIGNS OFFICE
ANURADHAPURA

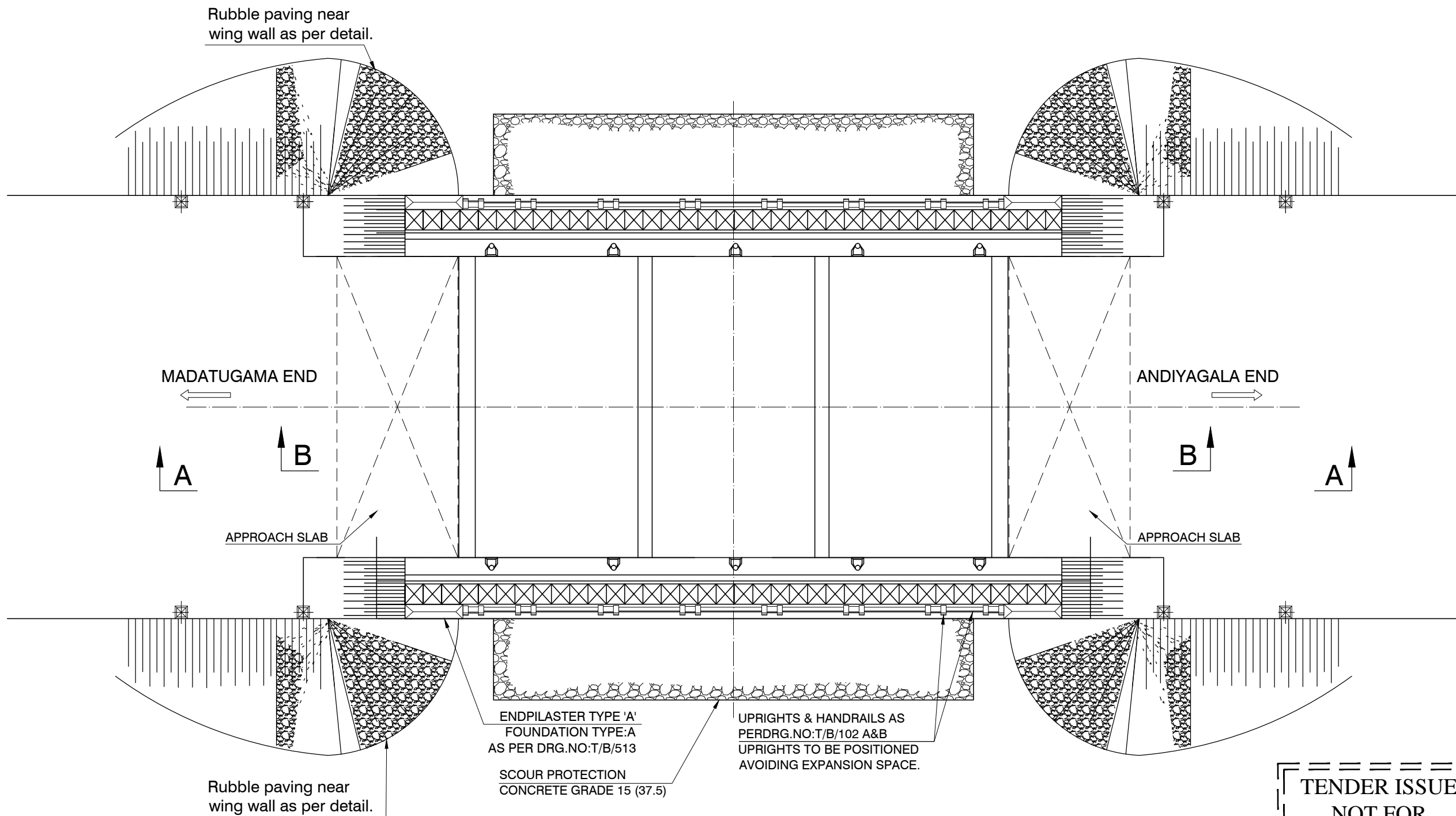
**RE CONSTRUCTION OF BRIDGE NO 13 / 2 ON
MADATUGAMA-PUBBOGAMA -ADIYAGALA ROAD (B 556)**

LS & BORE
HOLE DETAILS

Revision 01

DESIGNED : A.M.T.C.K.Atanayake	CHIEF ENGINEER - DESIGNS
DRAWN : D.M.L. Premarathne	
CHECKED :	
FILE NO. :	DRG. NO. PD/NCP/DES/MA13-2/BRI/A/PURA/01 03 OF 12 DATE :19/06/2024

PROVINCIAL DIRECTOR - NCP




PLAN VIEW
SCALE 1:100

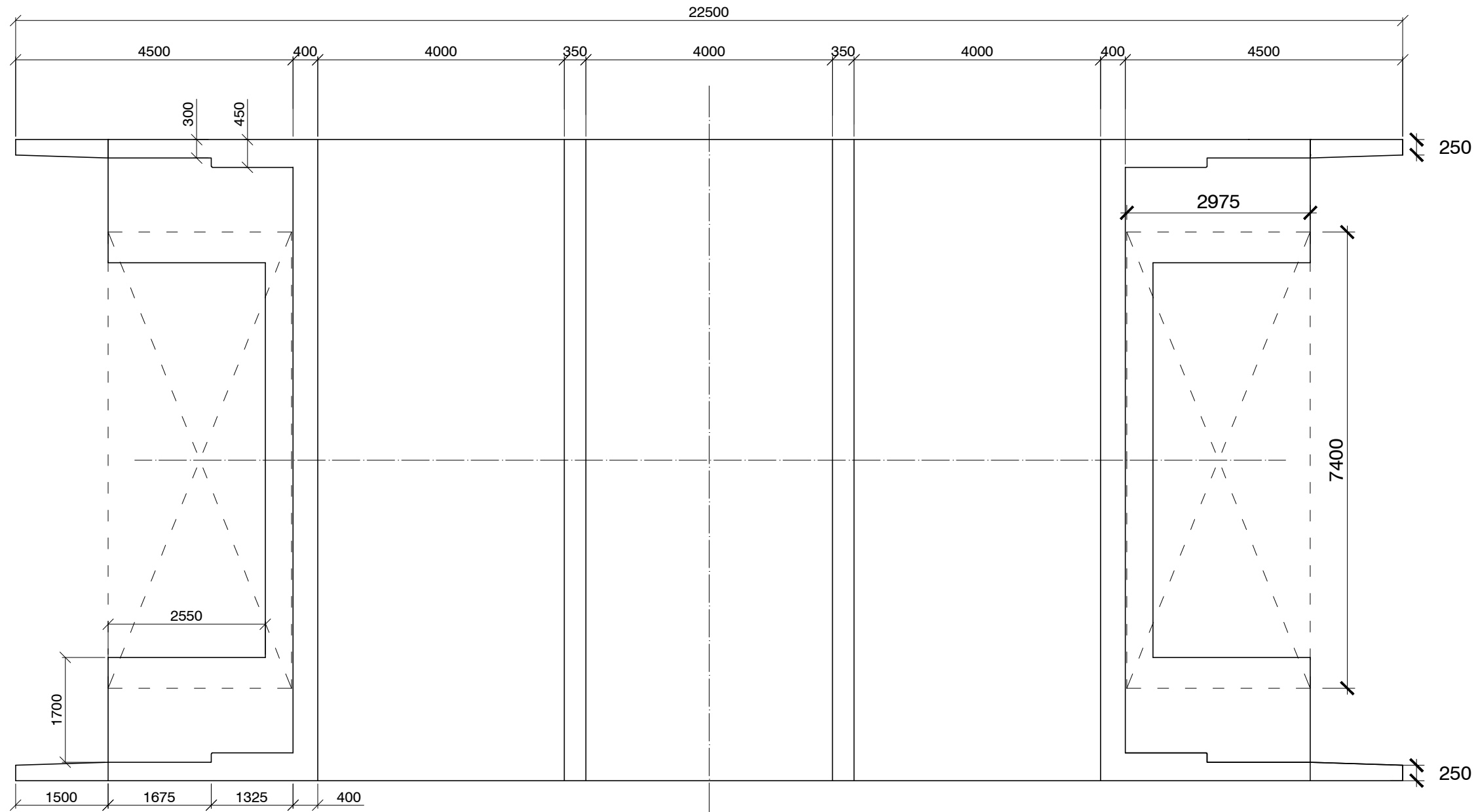
TENDER ISSUE
NOT FOR
CONSTRUCTION

**RE CONSTRUCTION OF BRIDGE NO 13 / 2 ON
MADATUGAMA-PUBBOGAMA -ADIYAGALA ROAD (B 556)**

GENERAL
PLAN

Revision 01

MINISTRY OF HIGHWAYS ROAD DEVELOPMENT AUTHORITY		 PROVINCIAL DIRECTOR'S DESIGNS OFFICE ANURADHAPURA		
DESIGNED : A.M.T.C.K.Atanayake	CHIEF ENGINEER - DESIGNS			
DRAWN : D.M.L. Premarathne				
CHECKED :				
FILE NO. :	DRG. NO. PD/NCP/DES/MA13-2/BRI/A/PURA/01	04 OF 12	DATE :19/06/2024	PROVINCIAL DIRECTOR - NCP



SECTIONAL PLAN
SCALE 1:75

TENDER ISSUE
NOT FOR
CONSTRUCTION

**RE CONSTRUCTION OF BRIDGE NO 13 / 2 ON
MADATUGAMA-PUBBOGAMA -ADIYAGALA ROAD (B 556)**

SECTIONAL
PLAN

Revision 01

MINISTRY OF HIGHWAYS
ROAD DEVELOPMENT AUTHORITY



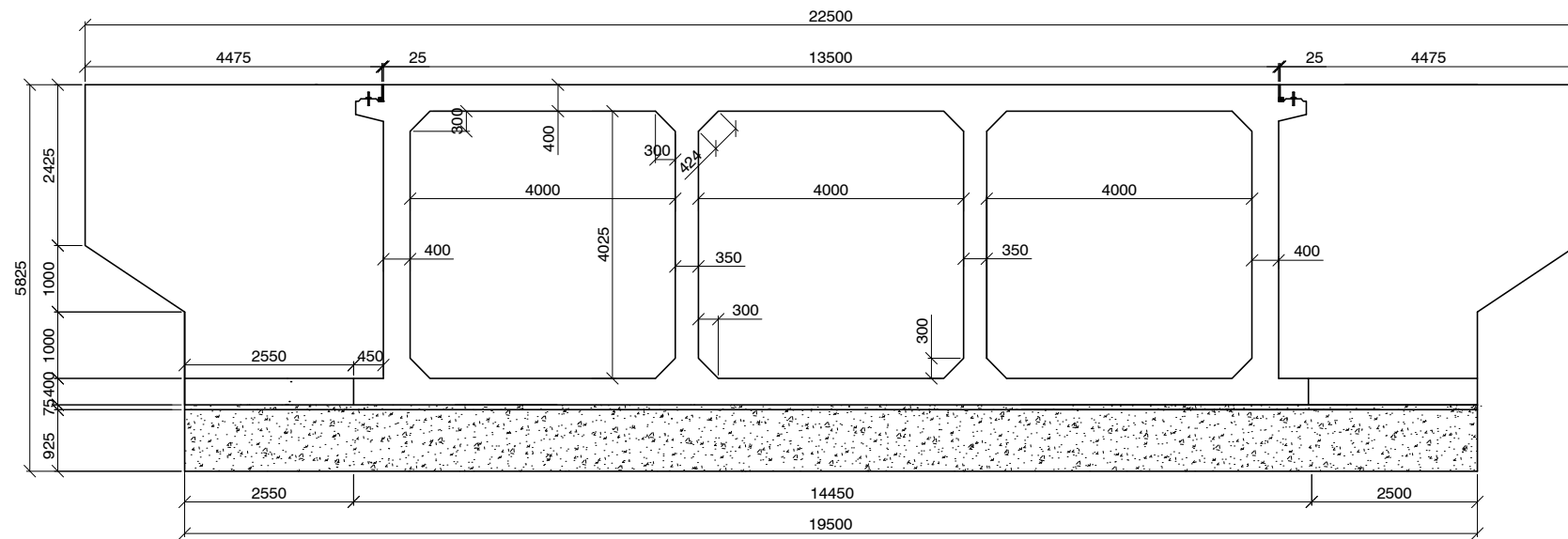
PROVINCIAL DIRECTOR'S
DESIGNS OFFICE
ANURADHAPURA

DESIGNED : A.M.T.C.K.Atanayake
DRAWN : D.M.L. Premarathne
CHECKED :
FILE NO. :

CHIEF ENGINEER - DESIGNS

DRG. NO. PD/NCP/DES/MA13-2/BRI/A/PURA/01 05 OF 12 DATE :19/06/2024

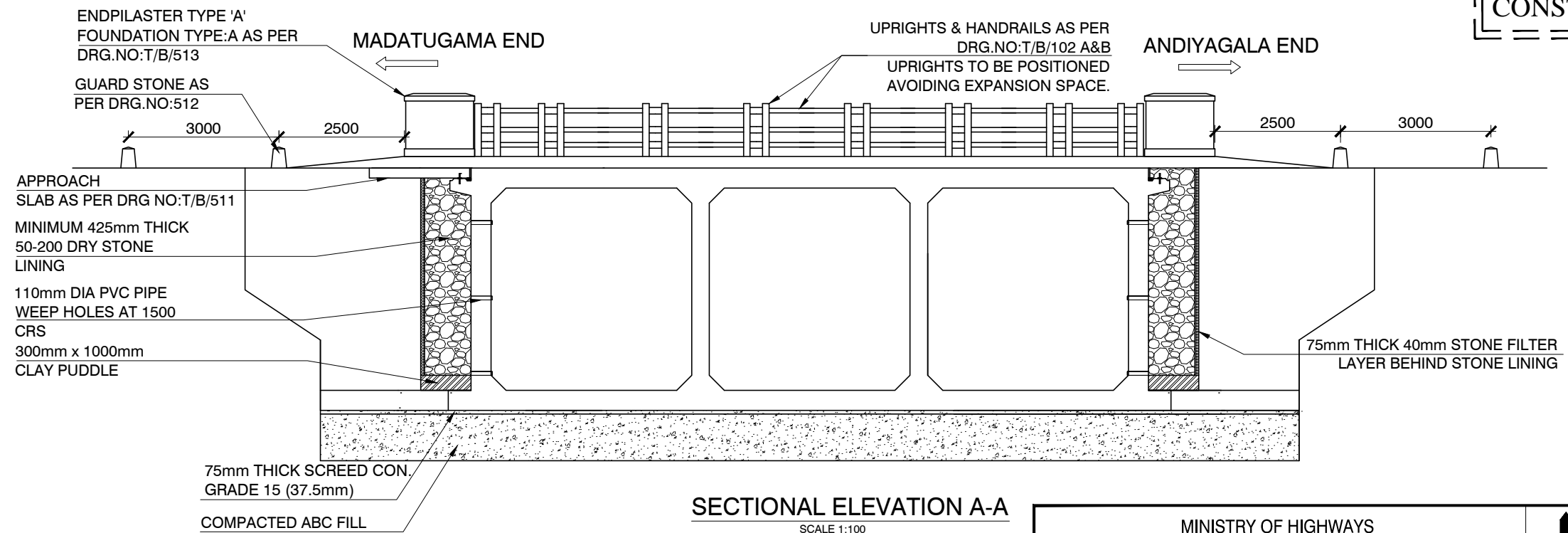
PROVINCIAL DIRECTOR - NCP



SECTIONAL ELEVATION B-B

SCALE 1:100

TENDER ISSUE
NOT FOR
CONSTRUCTION



SECTIONAL ELEVATION A-A

SCALE 1:100

**RE CONSTRUCTION OF BRIDGE NO 13 / 2 ON
MADATUGAMA-PUBBOGAMA -ADIYAGALA ROAD (B 556)**

SECTIONAL
ELEVATION

Revision 01

MINISTRY OF HIGHWAYS
ROAD DEVELOPMENT AUTHORITY



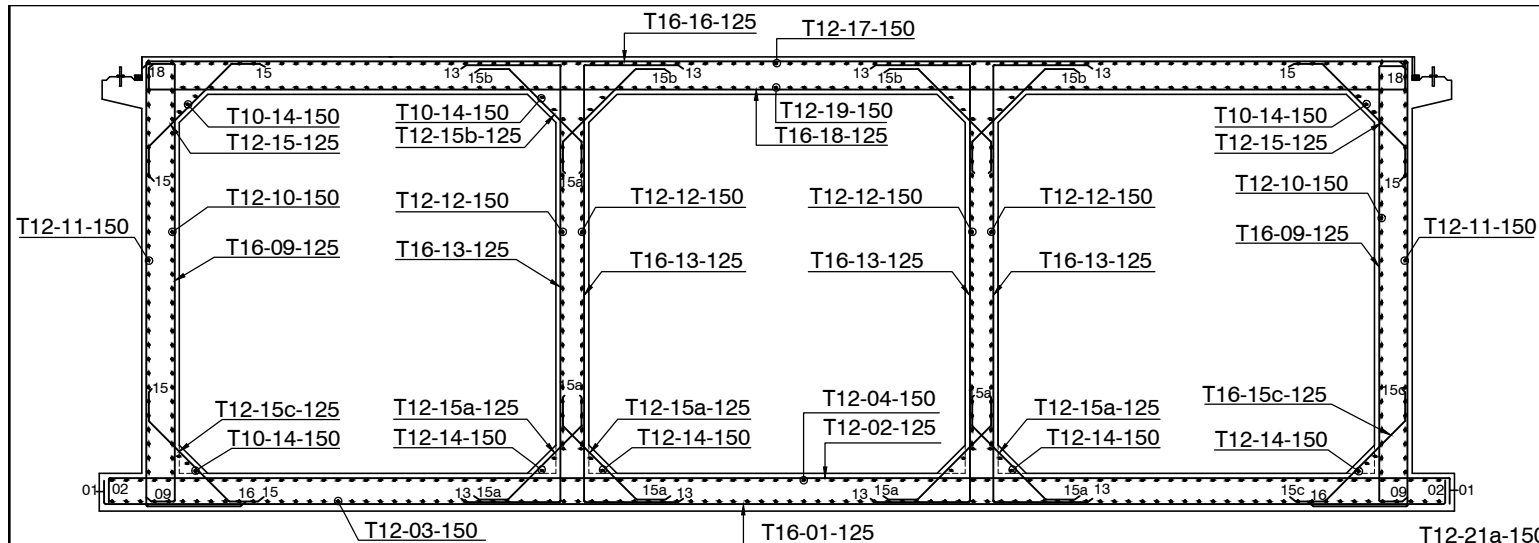
PROVINCIAL DIRECTOR'S
DESIGNS OFFICE
ANURADHAPURA

DESIGNED : A.M.T.C.K.Atanayake
DRAWN : D.M.L. Premarathne
CHECKED :

CHIEF ENGINEER - DESIGNS

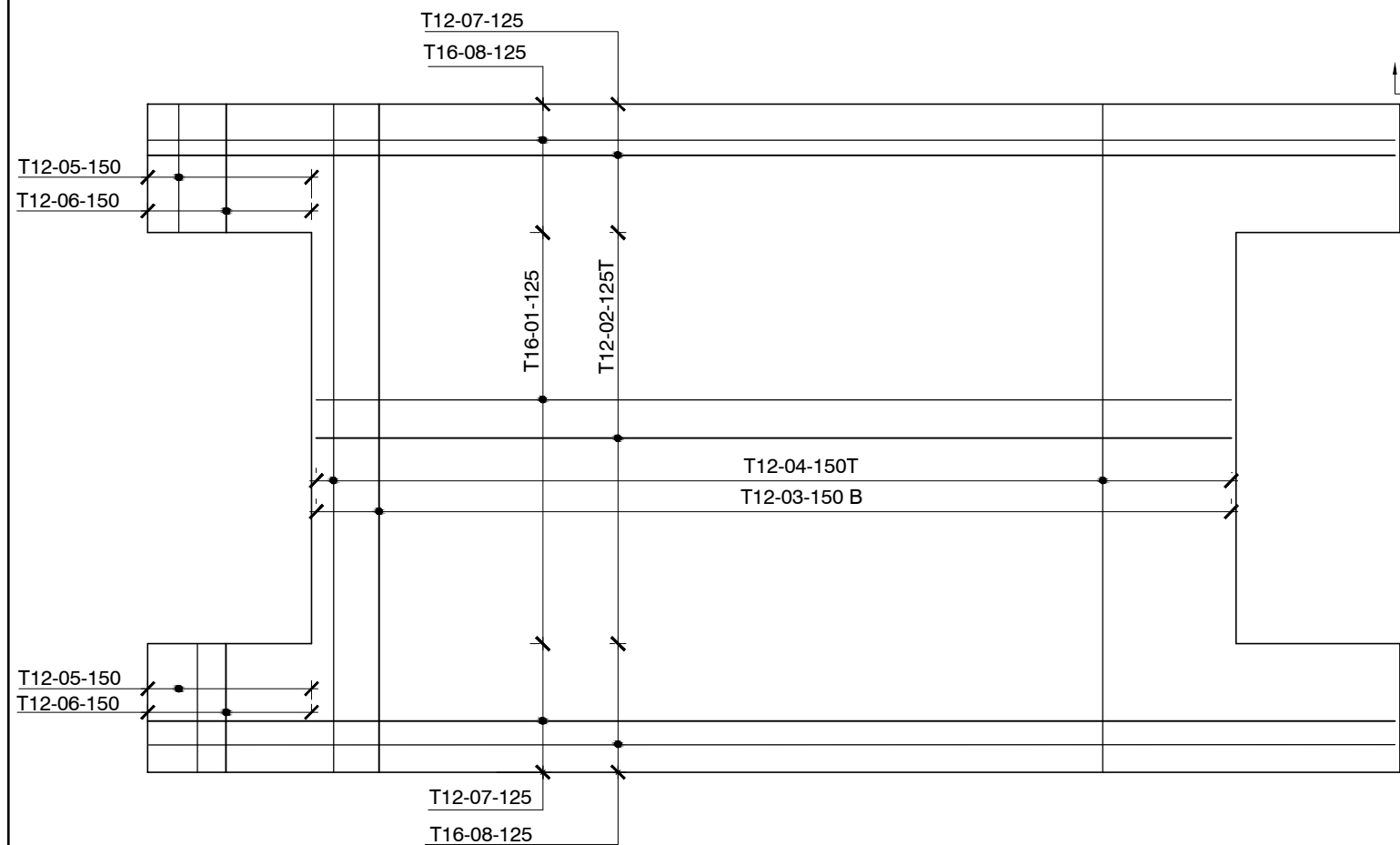
FILE NO. :
DRG. NO. PD/NCP/DES/MA13-2/BRI/A/PURA/01 06 OF 12 DATE :19/06/2024

PROVINCIAL DIRECTOR - NCP



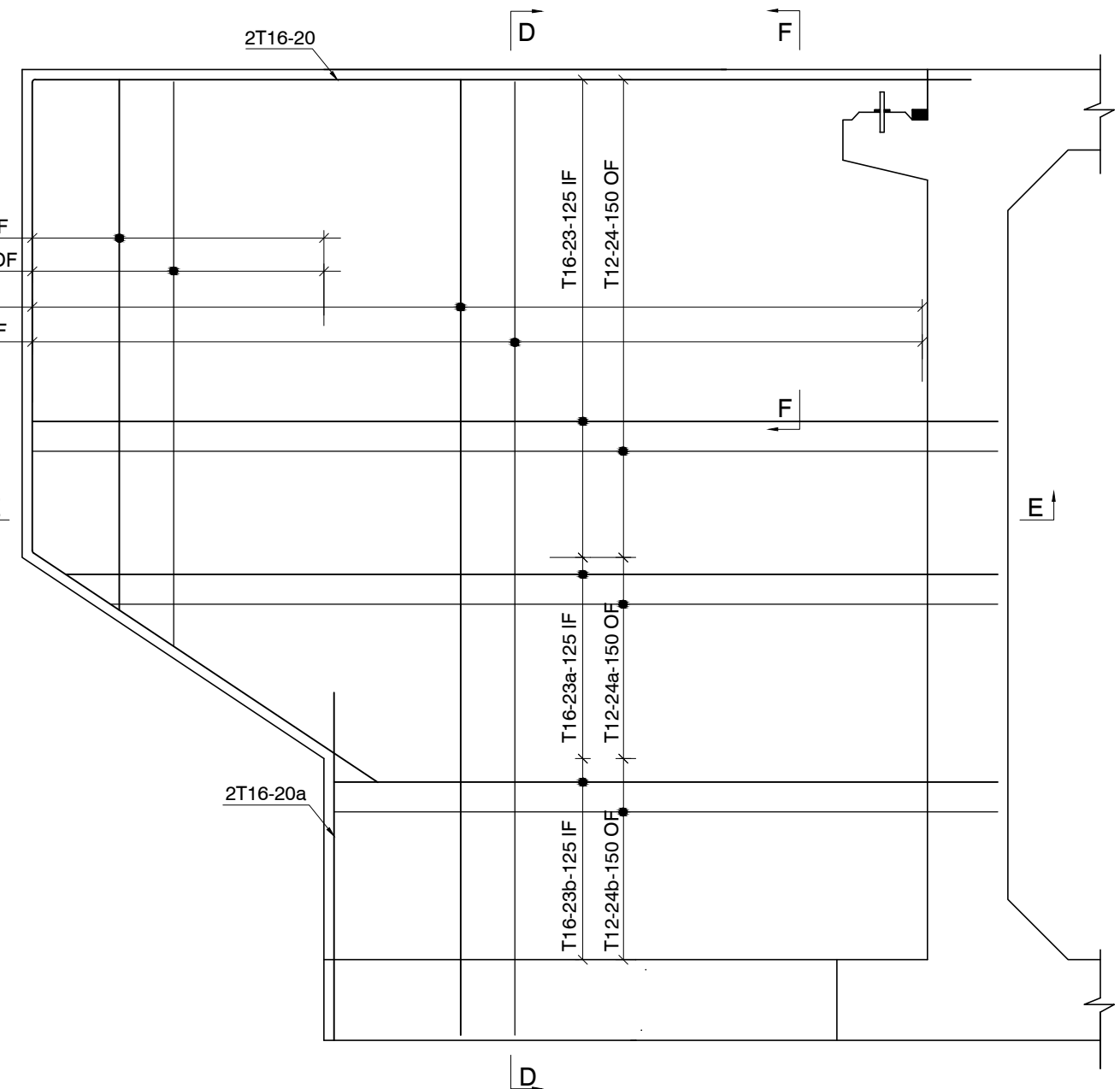
REINFORCEMENT DETAIL OF BRIDGE

SCALE 1:75



REINFORCEMENT DETAILS OF BASE SLAB

SCALE 1:100



REINFORCEMENT DETAIL OF WING WALL

SCALE 1:30

**RE CONSTRUCTION OF BRIDGE NO 13 / 2 ON
MADATUGAMA-PUBBOGAMA -ADIYAGALA ROAD (B 556)**

**REINFORCE-
MENT
DETAILS**

Revision 01

**MINISTRY OF HIGHWAYS
ROAD DEVELOPMENT AUTHORITY**



PROVINCIAL DIRECTOR'S
DESIGNS OFFICE
ANURADHAPURA

DESIGNED : A.M.T.C.K.Atanayake

DRAWN : D.M.L. Premarathne

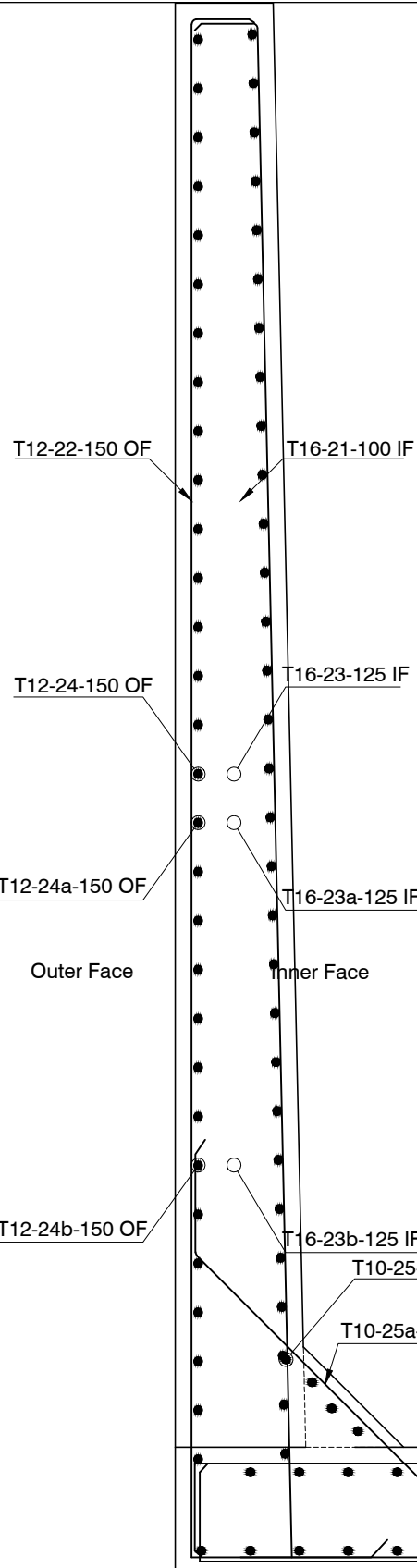
CHECKED :

FILE NO. :

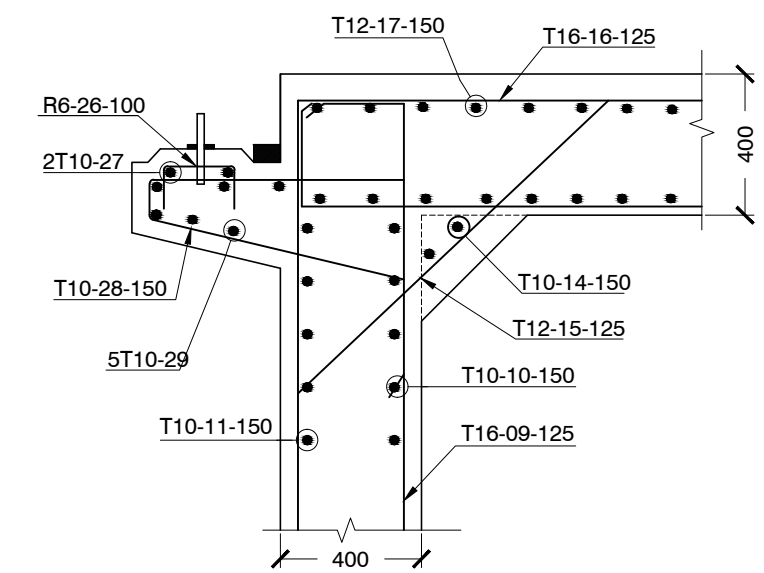
CHIEF ENGINEER - DESIGNS

DRG. NO. PD/NCP/DES/MA13-2/BRI/A/PURA/01 07 OF 12 DATE :19/06/2024

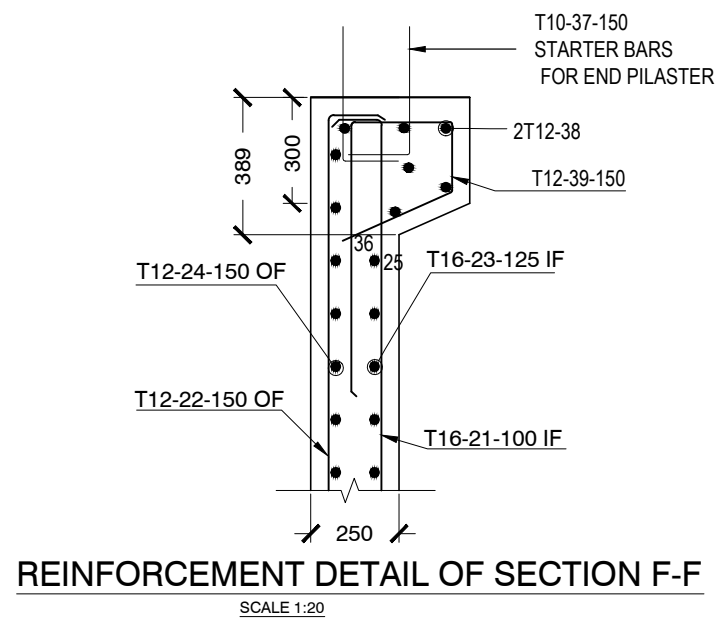
PROVINCIAL DIRECTOR - NCP



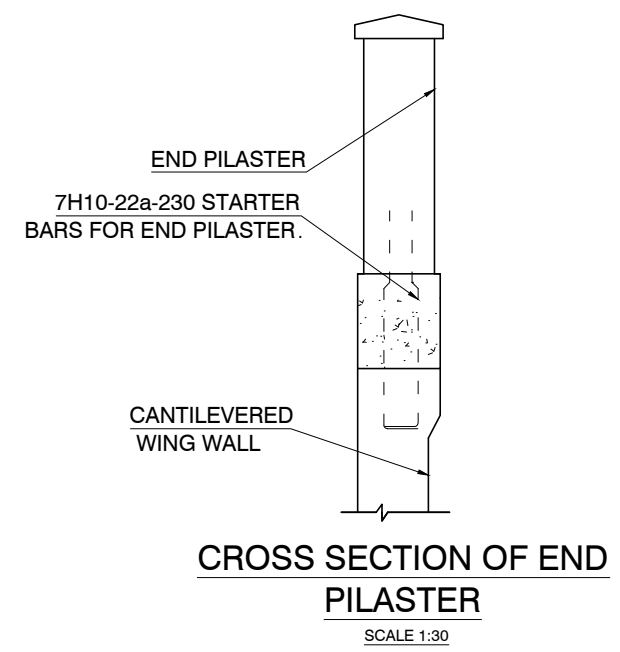
REINFORCEMENT DETAIL OF SECTION D-D
SCALE 1:20



REINFORCEMENT DETAILS OF COBAL
SCALE 1:20

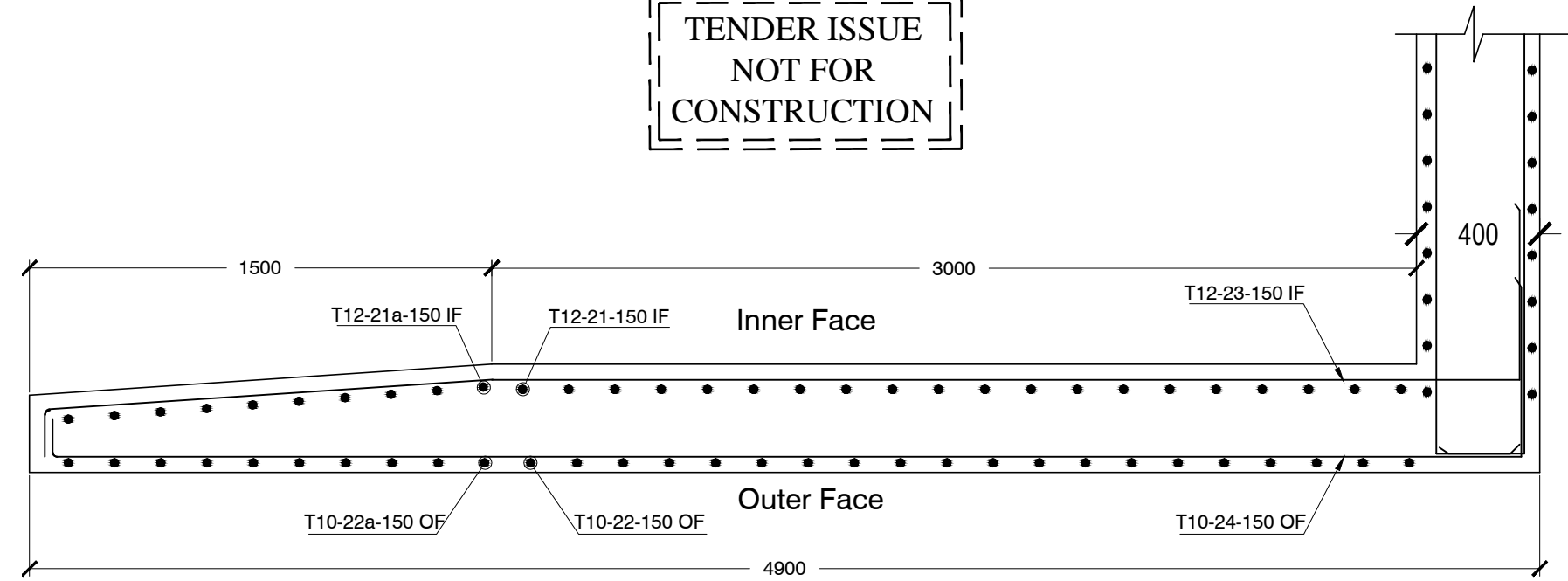


REINFORCEMENT DETAIL OF SECTION F-F
SCALE 1:20



CROSS SECTION OF END PILASTER
SCALE 1:30

TENDER ISSUE
NOT FOR
CONSTRUCTION




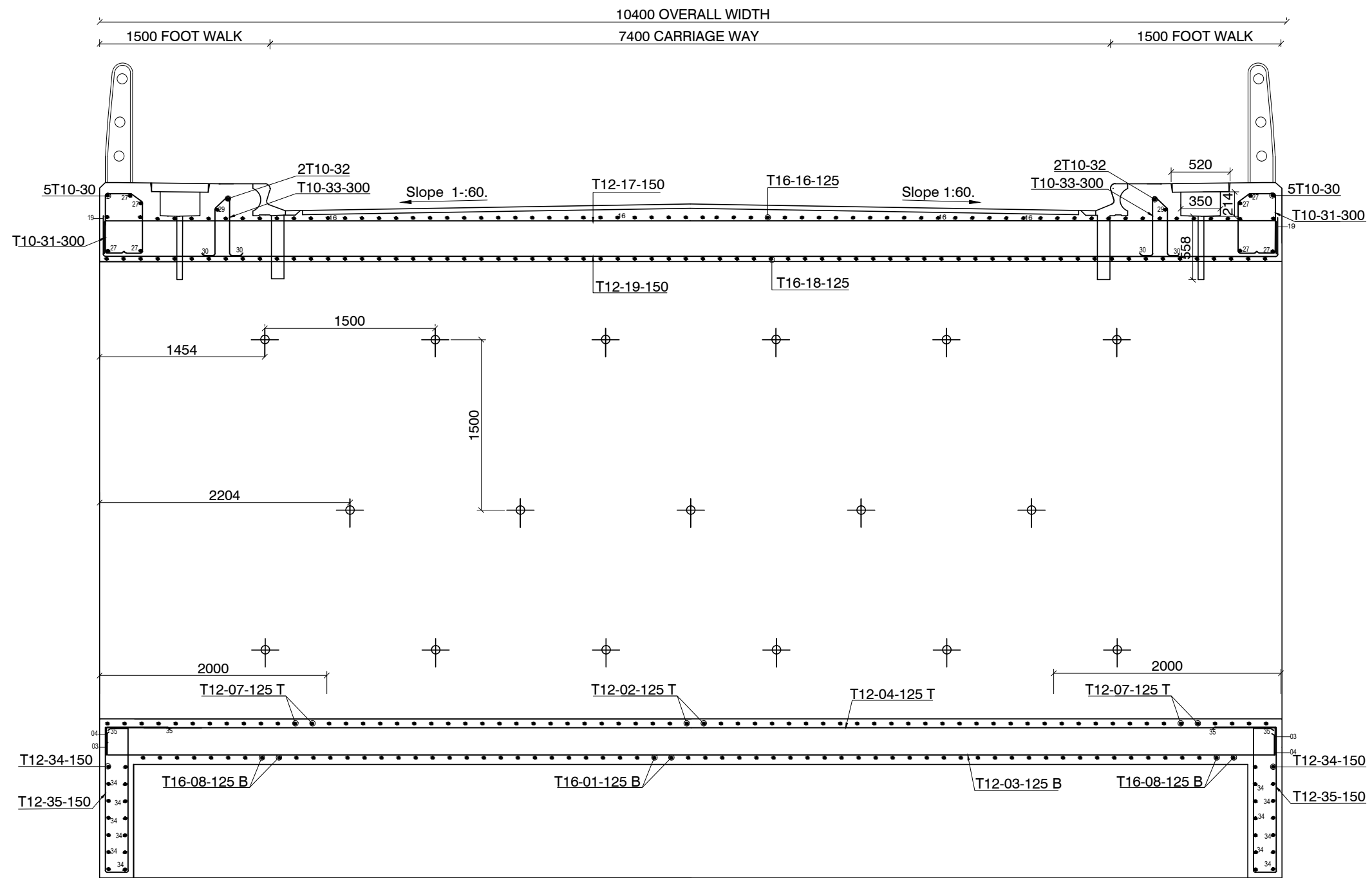
REINFORCEMENT DETAIL OF SECTION E-E
SCALE 1:20

RE CONSTRUCTION OF BRIDGE NO 13 / 2 ON
MADATUGAMA-PUBBOGAMA -ADIYAGALA ROAD (B 556)

REINFORCE-
-MENT
DETAILS OF
WING WALL

Revision 01

MINISTRY OF HIGHWAYS ROAD DEVELOPMENT AUTHORITY		 PROVINCIAL DIRECTOR'S DESIGNS OFFICE ANURADHAPURA
DESIGNED : A.M.T.C.K.Atanayake DRAWN : D.M.L. Premarathne CHECKED : FILE NO. :	CHIEF ENGINEER - DESIGNS	
DRG. NO. PD/NCP/DES/MA13-2/BRI/A/PURA/01 08 OF 12		DATE :19/06/2024 PROVINCIAL DIRECTOR - NCP



REINFORCEMENT DETAILS OF DETAIL SECTION C-C

SCALE 1:40

TENDER ISSUE
NOT FOR
CONSTRUCTION

RE CONSTRUCTION OF BRIDGE NO 13 / 2 ON
MADATUGAMA-PUBBOGAMA -ADIYAGALA ROAD (B 556)

CULVERT
CROSS
SECTION

Revision 01

MINISTRY OF HIGHWAYS
ROAD DEVELOPMENT AUTHORITY



PROVINCIAL DIRECTOR'S
DESIGNS OFFICE
ANURADHAPURA

DESIGNED : A.M.T.C.K.Atanayake

DRAWN : D.M.L. Premarathne

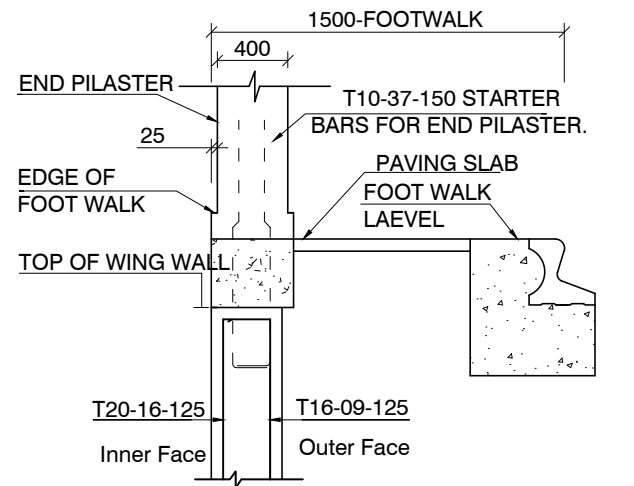
CHECKED :

FILE NO. :

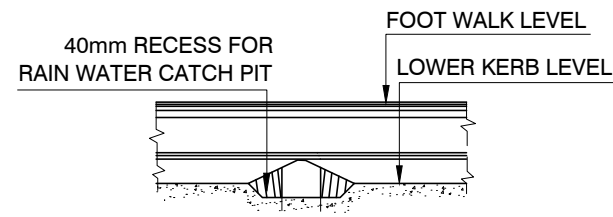
CHIEF ENGINEER - DESIGNS

DRG. NO. PD/NCP/DES/MA13-2/BRI/A/PURA/01 09 OF 12 DATE :19/06/2024

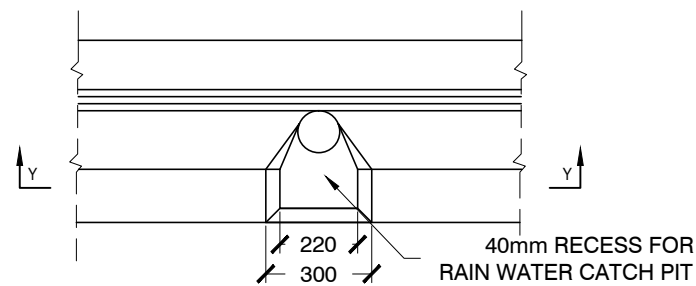
PROVINCIAL DIRECTOR - NCP



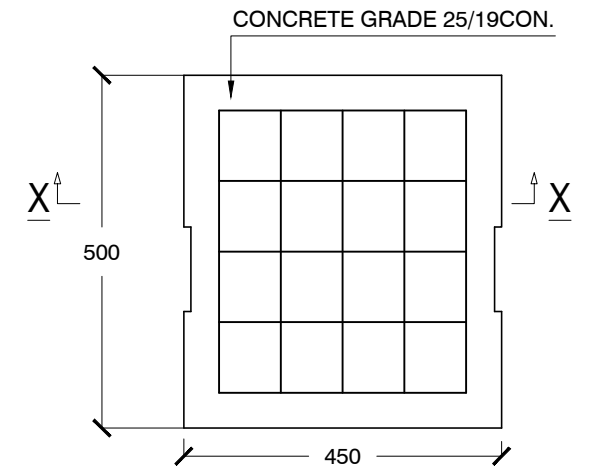
REINFORCEMENT DETAILS OF SECTION C-C
SCALE 1:30



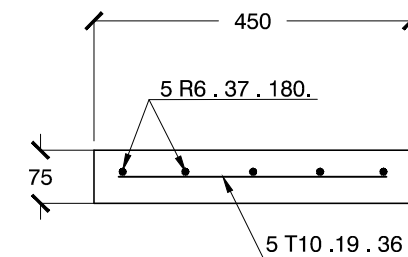
SECTIONAL ELEVATION
Y-Y
SCALE:- 1:20



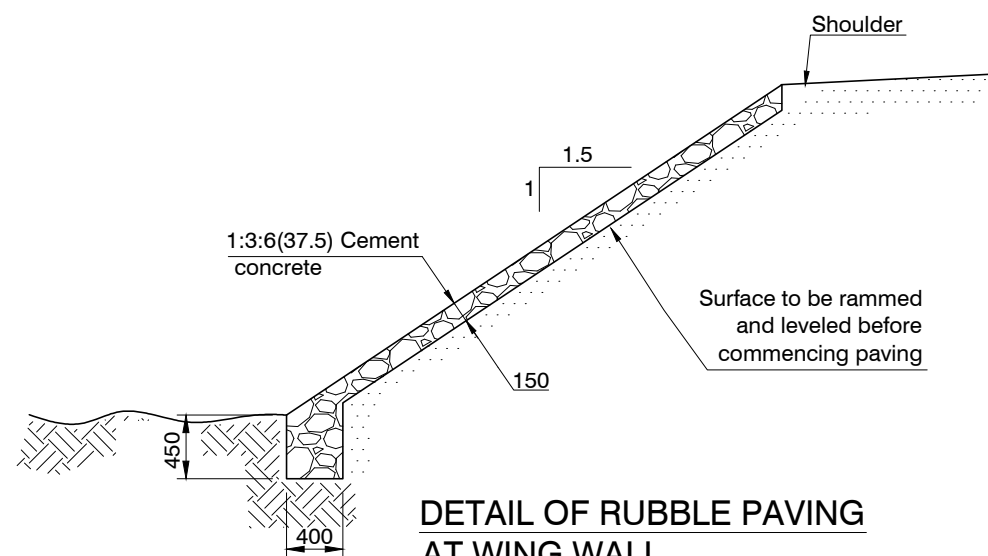
DETAIL OF RAIN WATER CATCH PIT
SCALE:- 1:20



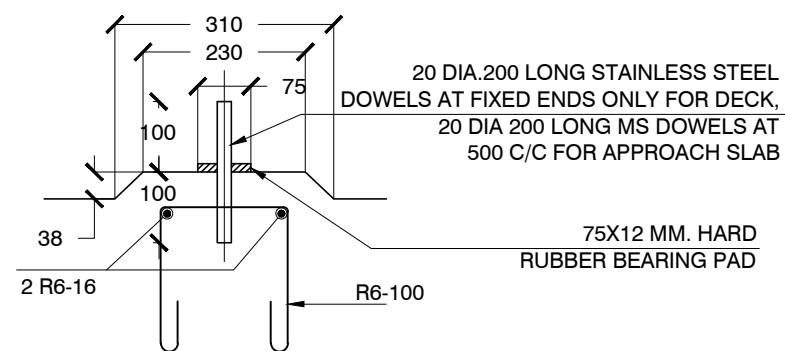
PLAN
DETAIL OF COVER SLAB
SCALE :- 1:10



SECTION X-X



DETAIL OF RUBBLE PAVING
AT WING WALL
SCALE:- 1:50



DETAILS OF BEARING SHEET
SCALE:-1:10

TENDER ISSUE
NOT FOR
CONSTRUCTION

**RE CONSTRUCTION OF BRIDGE NO 13 / 2 ON
MADATUGAMA-PUBBOGAMA -ADIYAGALA ROAD (B 556)**

**GENERAL
DETAILS - I**

Revision 01

**MINISTRY OF HIGHWAYS
ROAD DEVELOPMENT AUTHORITY**



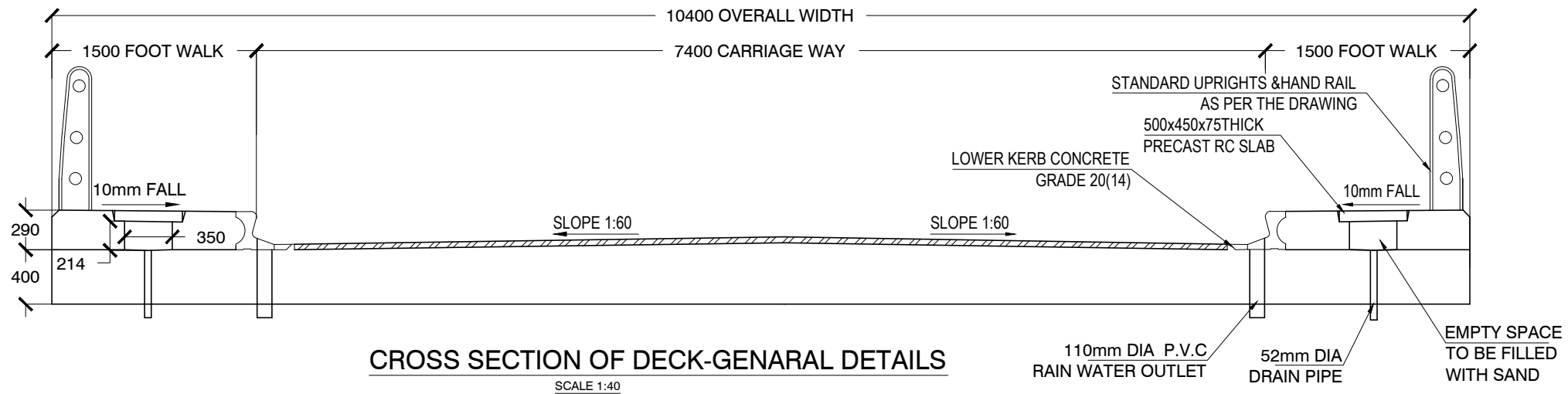
PROVINCIAL DIRECTOR'S
DESIGNS OFFICE
ANURADHAPURA

DESIGNED : A.M.T.C.K.Atanayake
DRAWN : D.M.L. Premarathne
CHECKED :
FILE NO. :

CHIEF ENGINEER - DESIGNS

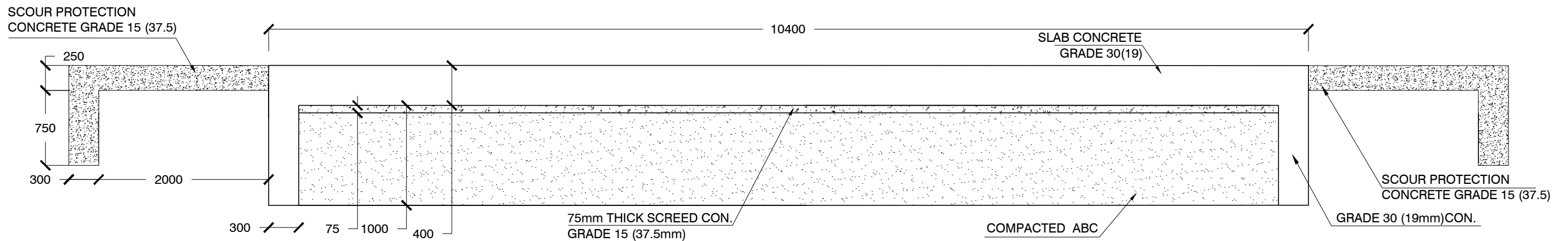
DRG. NO. PD/NCP/DES/MA13-2/BRI/A/PURA/01 10 OF 12 DATE :19/06/2024

PROVINCIAL DIRECTOR - NCP



CROSS SECTION OF DECK-GENERAL DETAILS
SCALE 1:40

TENDER ISSUE
NOT FOR
CONSTRUCTION



CROSS SECTION OF BASE SLAB-GENERAL DETAILS
SCALE 1:40

RE CONSTRUCTION OF BRIDGE NO 13 / 2 ON
MADATUGAMA-PUBBOGAMA -ADIYAGALA ROAD (B 556)

GENERAL
DETAILS - II

Revision 01

MINISTRY OF HIGHWAYS
ROAD DEVELOPMENT AUTHORITY



PROVINCIAL DIRECTOR'S
DESIGNS OFFICE
ANURADHAPURA

DESIGNED : A.M.T.C.K. Attanayake

DRAWN : D.M.L. Premarathne

CHECKED :

FILE NO. :

CHIEF ENGINEER - DESIGNS

DRG. NO. PD/NCP/DES/MA13-2/BRI/A/PURA/01 11 OF 12 DATE :19/06/2024

PROVINCIAL DIRECTOR - NCP

LOCATION	MARK	TYPE & SIZE	NO. OF.BAR IN EACH	NO. OF. MEMBERS	TOTAL NO	CUT LENGTH (mm)	SHAPE
BASE SLAB	01	T16	53	01	53	14850	
	02	T12	53	01	53	14850	
	03	T12	96	01	96	10850	
	04	T12	96	01	96	10850	
	05	T12	18	04	72	2450	
	06	T12	18	04	72	2450	
	07	T12	15	02	30	19950	
	08	T16	15	02	30	19950	
WALLS	09	T16	83	02	166	5300	
	10	T12	31	02	62	10900	
	11	T12	31	02	62	10900	
	12	T12	24	04	96	10900	
	13	T16	83	04	332	6700	
	14	T10	04	12	48	10900	
	15	T12	83	02	166	1879	
	15a	T12	83	04	332	1778	
	15b	T12	83	04	332	1844	
	15c	T12	83	02	166	1914	
DECK SLAB	16	T16	83	01	83	24800	
	17	T12	86	01	86	10900	
	18	T16	83	01	83	14000	
	19	T12	86	86	86	10900	
WING WALL	20	T16	02	04	08	9185	
	20a	T16	02	04	08	2825	
	21	T16	31	04	164	5400	
	21a	T12	11	04	44	2675-3675	
	22	T12	21	04	84	5400	
	22a	T12	11	04	44	2675-3675	
	23	T16	20	04	80	5500	
	23a	T16	09	04	36	4500-5500	
	23b	T16	09	04	36	4500	
	24	T12	16	04	64	5500	
	24a	T12	08	04	32	4500-5500	
	24b	T12	08	04	32	4500	
	25	T10	04	04	16	4850	
	25a	T10	23	04	92	1650	
	26	T12	11	04	44	1870	
	27	T10	11	04	44	4850	
	28	T12	02	04	08	1400	
	CORBEL	26	R6	74	02	148	350
27		T10	02	02	04	7250	
28		T10	74	02	148	1685	
29		T10	05	02	10	7250	
FOOT WALK	30	T10	05	02	10	16550	
	31	T10	55	02	110	1916	
	32	T10	02	02	04	16550	
	33	T10	55	02	110	1365	
DROP WALL	34	T12	08	02	16	19800	
	35	T12	130	02	260	3610	

GENERAL NOTES

- THIS DRAWING TO BE READ IN CONJUNCTION WITH STANDARD SPECIFICATIONS FOR CONSTRUCTIONS AND MAINTENANCE OF ROADS AND BRIDGES.
- DIMENSIONS SHALL NOT BE OBTAINED BY SCALING
- ANY DISCREPANCIES IN THE CONTRACT DRAWINGS SHALL BE REFERRED TO THE ENGINEER FOR REVISIONS BEFORE PROCEEDING WITH WORK.
- ANY SETTING OUT DIMENSIONS SHOWN ON DRAWING SHALL BE VERIFIED.
- ALL WORKMANSHIP AND MATERIALS ARE TO BE IN ACCORDANCE WITH THE REQUIREMENTS OF THE SPECIFICATION AND BY LAWS OF THE CLIENT.
- WING WALL LENGTHS ARE TO BE ADJUSTED AT SITE TO SUIT THE VARIATION IN SITE CONDITION DURING CONSTRUCTION.
- ADDITIONAL WEEP HOLES ARE TO BE PROVIDED IF NECESSARY TO SUIT SITE CONDITION.
- DEPTH OF ABC FILLING MAY CHANGE ACCORDING TO THE GROUND CONDITION.
- SETTING OUT OF BRIDGE AND APPROACHES TO BE DONE SIMULTANEOUSLY AND SHALL BE REFERRED TO THE ENGINEER PRIOR TO FOUNDATION EXCAVATION.
- ALL DIMENSIONS ARE IN MILLIMETERS UNLESS OTHERWISE STATED.

NOTES: REINFORCEMENT.

- ALL BARS MARKED 'R' SHALL BE HOT ROLLED MILD STEEL PLAIN BARS OF YIELD STRENGTH NOT LESS THAN 250N/MM².
- ALL BARS MARKED 'T' SHALL BE HIGH YIELD BE FORMED BARS OF YIELD STRENGTH NOT LESS THAN 460N/MM².
- THE BARS SHALL BE BENT AND HOOKS IN ACCORDANCE WITH THE BS 4466:1999
- BARS OF CUT LENGTH LARGER THAN THE SUPPLIED LENGTH SHOULD BE SPLICED WITH A LAP LENGTH = 55XBAR DIA. AND SPLICING SHOULD BE STAGGERED.
- CLEAR CONCRETE COVER FOR REINFORCEMENT (OUTSIDE OF STIRRUP OR TIES) SHALL BE:-

BASE SLAB	-----	75mm. (NOT FORMED)
WALL & WING WALLS	-----	50mm. (FORMED & EXPOSED)
DECK SLAB	-----	50mm. (FORMED & EXPOSED)

- TYPE OF FORM WORK FOR FOUNDATION SLAB - ROUGH.
- ALL OTHER CONCRETE WORKS WROUGHT.

GRADES OF CONCRETE.

- | | |
|---|----------------|
| 01. FOOT WALK ON DECK | GRADE 25(19) |
| 02. R.C COVER SLAB | GRADE 25(19) |
| 03. CONCRETE FOR WALLS AND WING WALLS | GRADE 30(19) |
| 04. CONCRETE FOR BASE SLAB AND DECK SLAB | GRADE 30(19) |
| 05. SCREED UNDER FOUNDATION | GRADE 15(37.5) |
| 06. CONCRETE FOR CORBEL | GRADE 30(19) |
| 08. CONCRETE FOR END PILASTER | GRADE 30(19) |
| 09. NECESSARY APPROVAL SHOULD BE OBTAINED FROM THE CLIENT FOR REINFORCEMENT | |
| 10. DO NOT USE LIME CEMENT FOR CONSTRUCTION | |

NOTE:
THIS SCHEDULE IS INDICATIVE ONLY. THE CONTRACTOR SHALL BE RESPONSIBLE FOR PRODUCING HIS OWN SCHEDULE



RE CONSTRUCTION OF BRIDGE NO 13 / 2 ON MADATUGAMA-PUBBOGAMA -ADIYAGALA ROAD (B 556)

BAR SCHEDULE

Revision 01

MINISTRY OF HIGHWAYS ROAD DEVELOPMENT AUTHORITY			PROVINCIAL DIRECTOR'S DESIGNS OFFICE ANURADHAPURA
DESIGNED : A.M.T.C.K.Atanayake DRAWN : D.M.L. Premarathne CHECKED : FILE NO. :	CHIEF ENGINEER - DESIGNS DRG. NO. PD/NCP/DES/MA13-2/BRI/A/PURA/01 12 OF 12 DATE :19/06/2024		
PROVINCIAL DIRECTOR - NCP			